

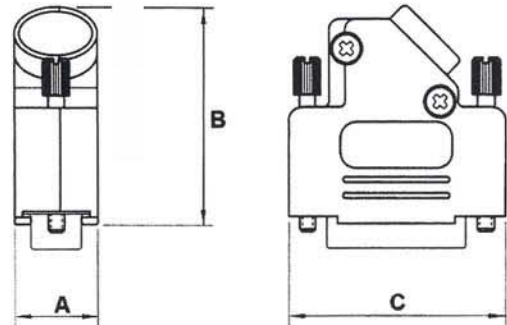
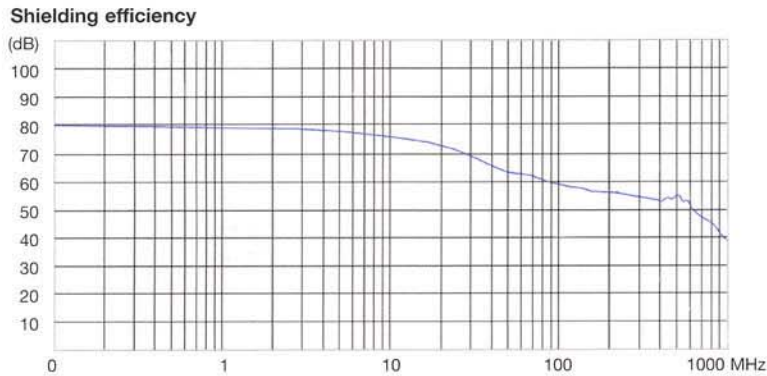
## 45° Cable Entry Die Cast Hood with Long Thumbscrews

### TECHNICAL SPECIFICATIONS

- Material:** Zinc, Nickel plated
- Operating Temperature:** -40°C to +120°C
- Cable Entry:** Side
- Thumbscrews:** UNC 4-40 (standard)  
M2,5/M2,6 or M3,0 on request
- Cable Diameter:** Up to 13,0 mm
- Screening Test:** SP Swedish National Testing and Research Institute
- Cable Grommet set:** Four different sizes 4, 5, 7, 9 mm



Screening Effectiveness



### Features:

- Available in sizes 9-15-25-37
- Excellent EMI Shielding
- Re-openable
- Strain relief inserts ensure a secure termination
- Metalized (RAHI) grommets on request
- Size 50 on request

Size	Dim A	Dim B	Dim C
9-way	14,5	36,3	31,0
15-way	14,5	40,3	39,5
25-way	14,5	40,3	53,2
37-way	14,5	40,3	69,7