

45° Cable Entry Metalised Hood with Long Thumbscrews

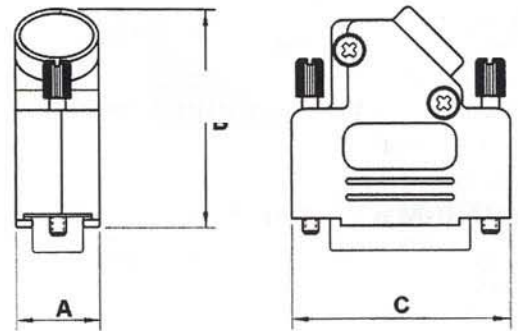
TECHNICAL SPECIFICATIONS

- Material:** UL 94 V-0 Plastic Material
- Operating Temperature:** -55°C to +110°C
- Cable Entry:** Side
- Thumbscrews:** UNC 4-40
- Cable Diameter:** Up to 13,0 mm
- Cable Grommet set:** Four different sizes 4, 5, 7, 9 mm



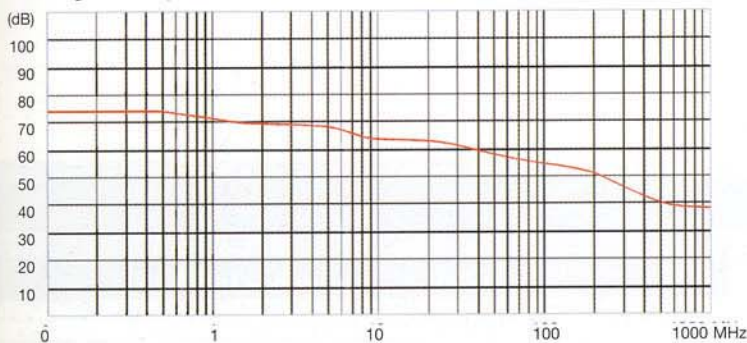
Features:

- Available in sizes 9-15-25-37
- Suitable for any common Sub-D Connector
- Strain relief inserts ensure a secure termination
- Re-openable
- Company logo available upon request
- Also available in Unshielded Version
- Recyclable



Screening Effectiveness

Shielding efficiency



Size	Dim A	Dim B	Dim C
9-way	15,0	36,3	31,0
15-way	15,0	40,3	39,5
25-way	15,0	40,3	53,2
37-way	15,0	40,3	69,7