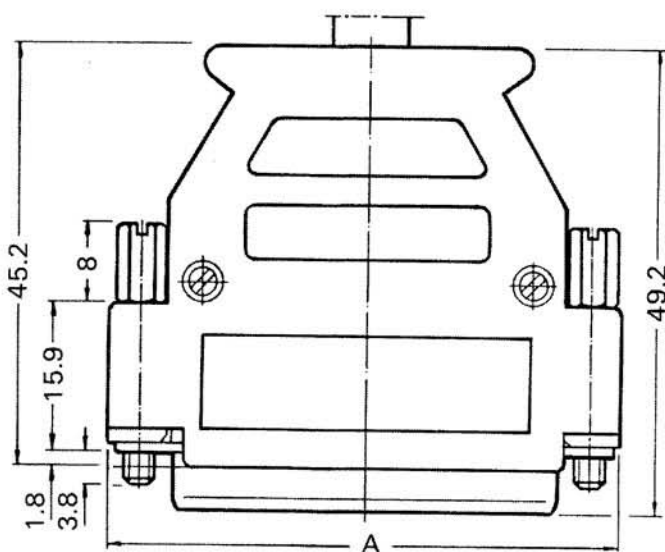
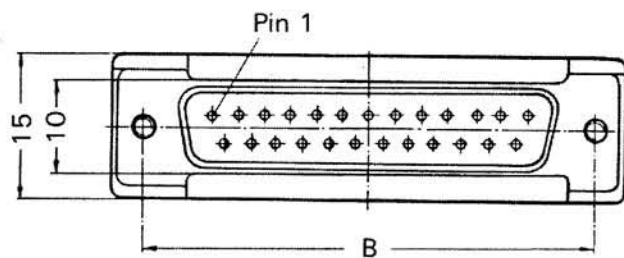
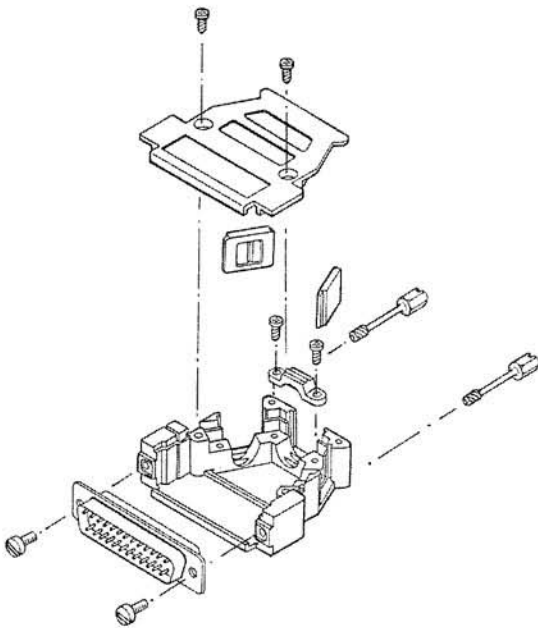


CAS Style Black Plastic Hood 3 Way Universal Cable Entry with Half Height Screws

Technical Specification

Material: UL 94V-0 Plastic Material
Operating Temp: -30°C to 90°C
Cable Entry: Top & Side Entry
Thread: UNC 4-40
Cable Diameter: Up to 13mm

9 Way Version only available in Top Entry version



Ways	Dimensions mm	
	A	B
9	31.0	25.0
15	40.0	33.0
25	53.5	47.0
37	70.0	64.0