

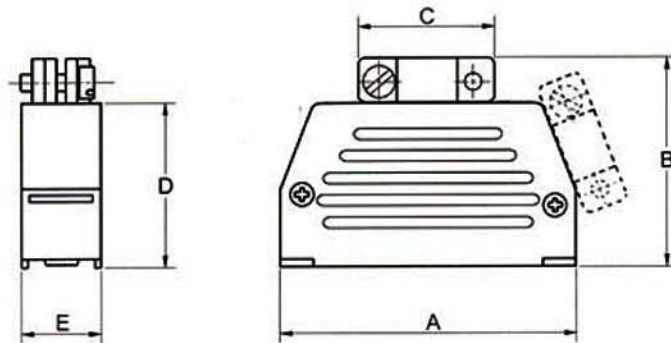
# Black Plastic Top and Side Entry Hood with integrated Slide-Lock system

### TECHNICAL SPECIFICATIONS

**Material:** UL94- V-0 Approved Thermoplastic  
**Cable Entry:** Top + Side Entry  
**Cable Diameter:** Up to 9,0 mm

#### Features:

- Suitable for sizes 9, 15, 25, 37 and 50-way
- Easy to re-open
- Slide-Lock system integrated inside hood with special spring and slide lever.



Size	A	B	C	D	E
9	32,2	28,6	-	22,1	15,0
15	39,8	34,1	-	26,1	15,0
25	54,2	38,3	-	30,3	15,0
37	70,7	46,2	-	38,2	15,0
50	68,0	46,2	-	38,2	18,0