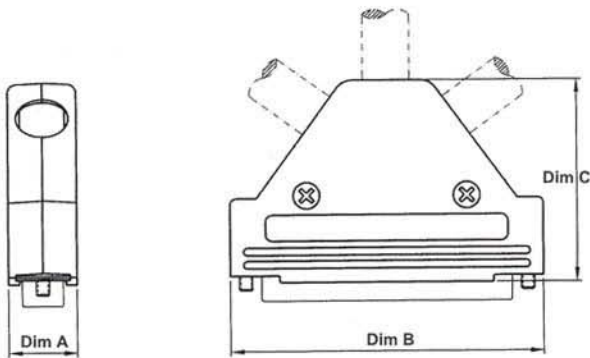


Universal 3 Way Cable Entry Hood Black Plastic supplied with Short Screws

TECHNICAL SPECIFICATIONS

Material:	UL 94 V-0 Plastic Material
Operating Temperature:	-55°C to +110°C
Cable Entry:	Side/Top/Side
Thumbscrews:	UNC 4-40 (standard) M2,5 or M3,0 on request
Cable Diameter:	Up to 11,5 mm



Size MHTRI-P	Dim A	Dim B	Dim C
9-way	15,0	31,0	45,2
15-way	15,0	40,3	45,2
25-way	15,0	53,5	45,2
37-way	15,0	70,0	45,2

Features:

- Available in sizes 9-15-25-37
- All sizes feature 3-Way Entry solution
- Re-openable
- Hood is supplied with 2 Blanking Plates and 2 Strain Relief Clamps. Extra Blanking Plates and/or Strain Reliefs are available on request.
- Also available in Metalized Version