

# MATERIAL

INSULATOR: PBT+GF(UL 94V-0) or NYLON  
 CONTACT: BRASS or PHOSPHOR BRONZE

# SPECIFICATION

CONTACT RESISTANCE: 30mΩ MAX. AT 1 AMP<sub>DC</sub>  
 INSULATOR RESISTANCE: 1000MΩ MIN. AT 500V  
 OPERATING TEMPERATURE: -55 °C TO +105 °C  
 DIELECTRIC WITHSTANDING VOL: 500VAC RMS MIN.

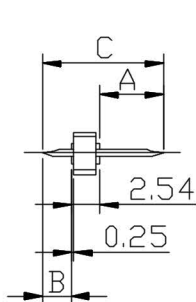
Pin Length Code (straight)	Dimension (in mm)		
	A	B	C
01	5.84	2.79	11.17
04	5.84	3.18	11.56
05	8.08	2.79	13.41
07	8.08	3.18	13.80

Pin Length Code (R/A)	Dimension (in mm)			
	A	B	C1	C2
11A	5.84	2.79	9.88	12.42
14A	5.84	3.18	9.88	12.42
15A	8.08	2.79	12.12	14.66
17A	8.08	3.18	12.12	14.66

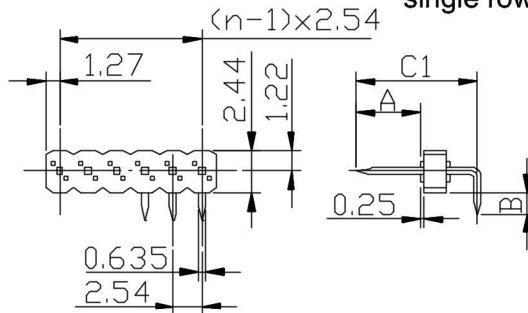
## HOW TO ORDER

Series No.	Row Type	Type	Contact	No. of Pins	Pitch	Housing H	Plating	Cap	Package
B20	1	04	0	40	1	0	2		
(STR.) 1:Single 2:Double (R/A) 1R:Single 2R:Double		01-07 11A-17A More available upon request	0:Brass 5:Phos. bronze	1~40 2~80	1:2.54mm	0:2.54mm	1:Tin 2:Gold 3:Selective 4:30u"gold 7:Pb-Free Process Gold(260C Max) 8:Pb-Free Process Tin(260C max)	blank:w/o Cap 2:with Cap	blank:bag T:tube T1:tray R:T&R

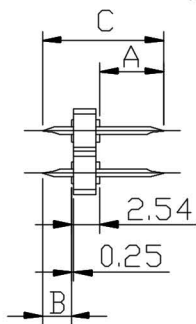
single row-straight



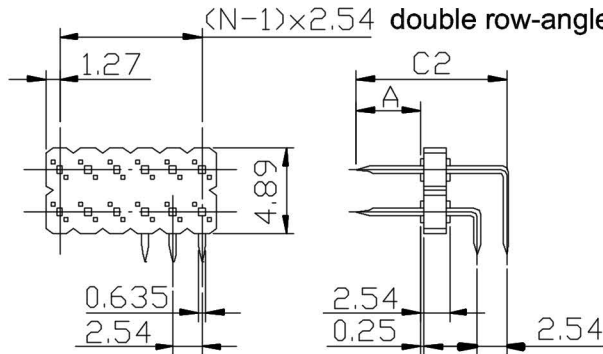
single row-angled



double row-straight



double row-angled



REV.	CONTENTS	DATE



UNLESS OTHERWISE SPECIFIED TOLERANCE  
 Inch:  
 .000 = ±0.01  
 .0000 = ±0.0050  
 mm:  
 .00 = ±0.25  
 .000 = ±0.130  
 Ang:  
 0.0 = ±2°

Drawn	Lisa
Designed	Nelson
Approved	Vincent
Rev:	B
Units	mm

Title:		2.54mm PIN HEADER	
Part No	B20-x-xx-x-xx-1-0-x-x-x	Sheet	1
Date:	09-03-2001	Scale	: