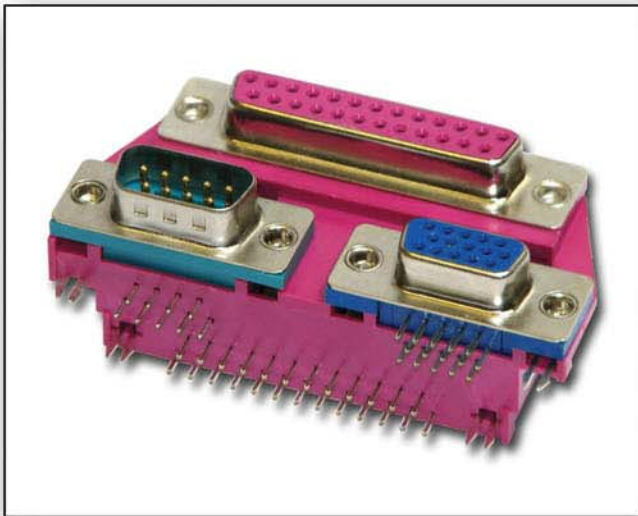


Stamped & Formed Triple Port D-Sub Connectors



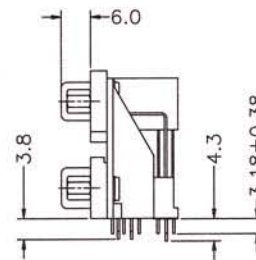
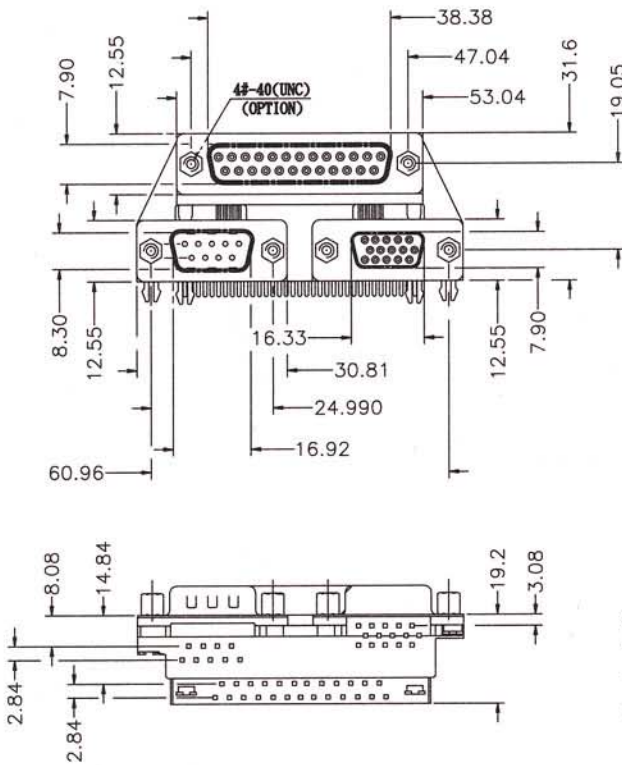
SPECIFICATIONS

Materials

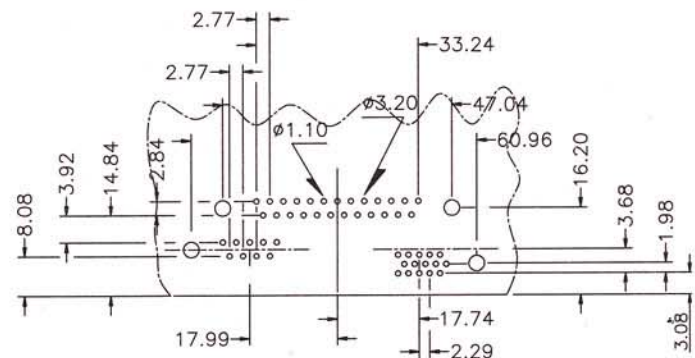
Insulator: PBT, UL94V-0 Rated
 Contacts: Brass, Gold Plated
 Shell: Steel, Nickel Plated
 Bracket: Zinc Alloy, Nickel Plated

Electrical

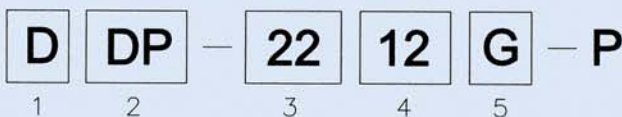
Insulation Resistance: 5000MΩ Min.
 Contact Resistance: 35MΩ Max.
 Current Rating: 1 Ampere
 Dielectric Voltage: 500V AC for one minute r.m.s.
 Operating Temperature: -55°C ~ 85°C



RECOMMENDED P.C.B. LAYOUT



ORDER INFORMATION



1. Series No.
D-Sub

3. No. of Contacts
22: 25/9/HD15

5. Contact Plating
G: Gold Flash

2. Terminal Version
DP: Dual-Port

4. Connector Type
12: Female/Male/Female

P: Plastic Bracket